

<b>PRODUCT NAME</b>	CBS VCall
<b>PRODUCT CODE</b>	AVS/010/K01 (single mount solution) AVS/010/K02 (dual mount solution)

---



## KEY FEATURES

---

- A cost effective solution for video conferencing
- Supplied in all-in-one-box with minimal assembly required
- Available in single screen and dual screen mounts
- Front panel can be personalised to individual requirements, ideal for company branding or advertising

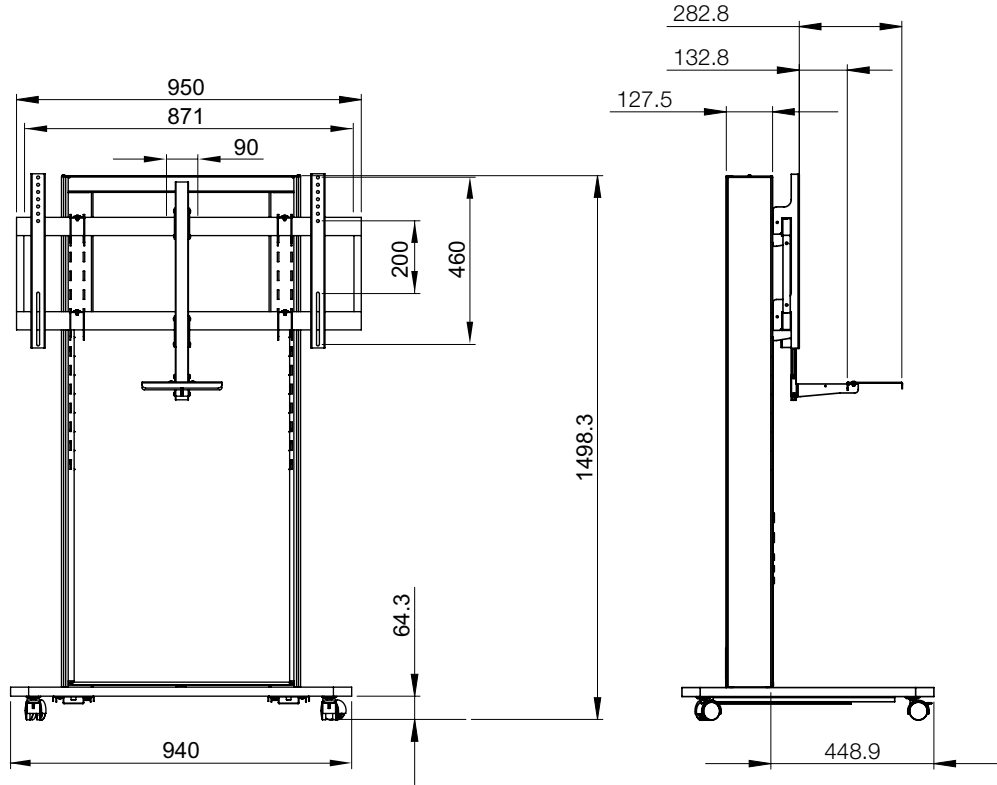


# TECHNICAL SPECIFICATION SHEET

**PRODUCT NAME** CBS VCall  
**PRODUCT CODE** AVS/010/K01 (single mount solution)  
AVS/010/K02 (dual mount solution)

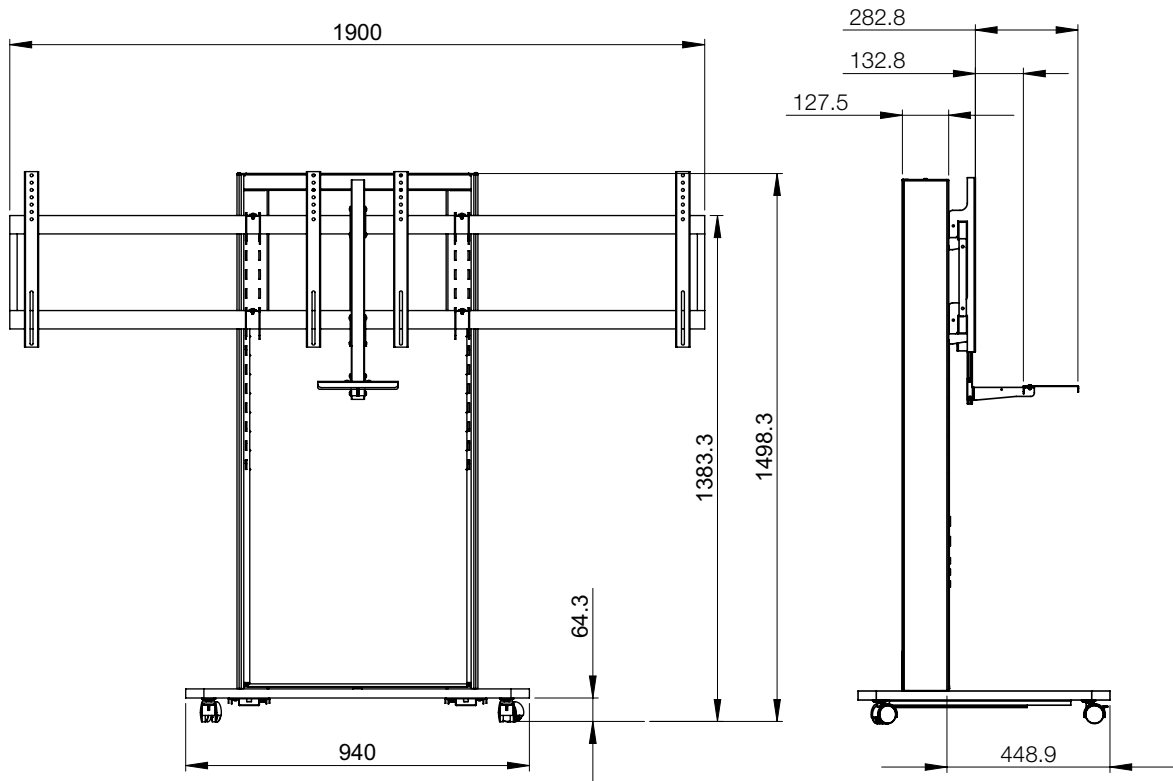
## AVS/010/K01 (single mount)

Vesa Mounts	Min	Max
Horizontal	90mm	871mm
Vertical	200mm	460mm



All dimensions in mm

## AVS/010/K02 (dual mount)





# TECHNICAL SPECIFICATION SHEET

<b>PRODUCT NAME</b>	CBS VCall
<b>PRODUCT CODE</b>	AVS/010/K01 (single mount solution) AVS/010/K02 (dual mount solution)

## PRODUCT DESCRIPTION

As part of the CBS Audio Visual and Video Conferencing range of products, the CBS-VCall has been designed as a dedicated Video Conferencing unit which is simple to set up, cost effective and customisable. The VCall is supplied part assembled making it a quick to install and is available in both single and dual screen mount options.

## PRODUCT APPLICATIONS

- Video conferencing
- Digital signage
- Corporate presentations

## PRODUCT CLASSIFICATION

Single Mount Max Screen Capacity	70" screen *
Dual Mount Max Screen Capacity	Two 55" screens *
Maximum load	120kg for 10 degree tilt

*\* Subject to load limits. Other large format displays subject to discussion with manufacturer.*

## LOGISTICAL

Master dimensions	800 x 1200 x 1644 mm for both
Master Carton quantity	1
Weight Master	59kg for single, 65kg for dual
Country of Configuration	Czech Republic
Pallet Quantity	2
Pallet Weight	138kg for single, 150kg for dual

	<b>COLOUR</b>	<b>ORDER CODE</b>	<b>EAN13 GS1 CODE</b>
<b>Single</b>	Black	AVS/010/K01	5060270821090
<b>Dual</b>	Black	AVS/010/K02	5060270821106

*Custom colours available on request for front panel*

## GUARANTEE

5 year warranty	
Duty Cycle	N/A
Notes	None



# TECHNICAL SPECIFICATION SHEET

**PRODUCT NAME** CBS VCall  
**PRODUCT CODE** AVS/010/K01 (single mount solution)  
AVS/010/K02 (dual mount solution)

---

## MANUFACTURING

---

Supplier QC Cert	ISO 9001
Sampling Method Level	AQL
Implementation Level	Cplan
Teir 1 Audit	CBS Yearly
Environmental Certification	Internal Procedures

## PARAMETRIC TEST MEASURES - Tested against BS EN 60950

---

Test parameter 1	Overload test
Value	175kg (Dual screen)
Test parameter 2	Stability test
Value	10 degree tilt for Single screen (60kg) and dual screens (120kg—60kg each)

## CLEANING, STORAGE & MAINTENANCE

---

Wipe down with a damp cloth  
No abrasives  
No solvents to be used on the cosmetic surfaces

Manufactured under an  
ISO 9000 registered quality  
management system



FM 550691