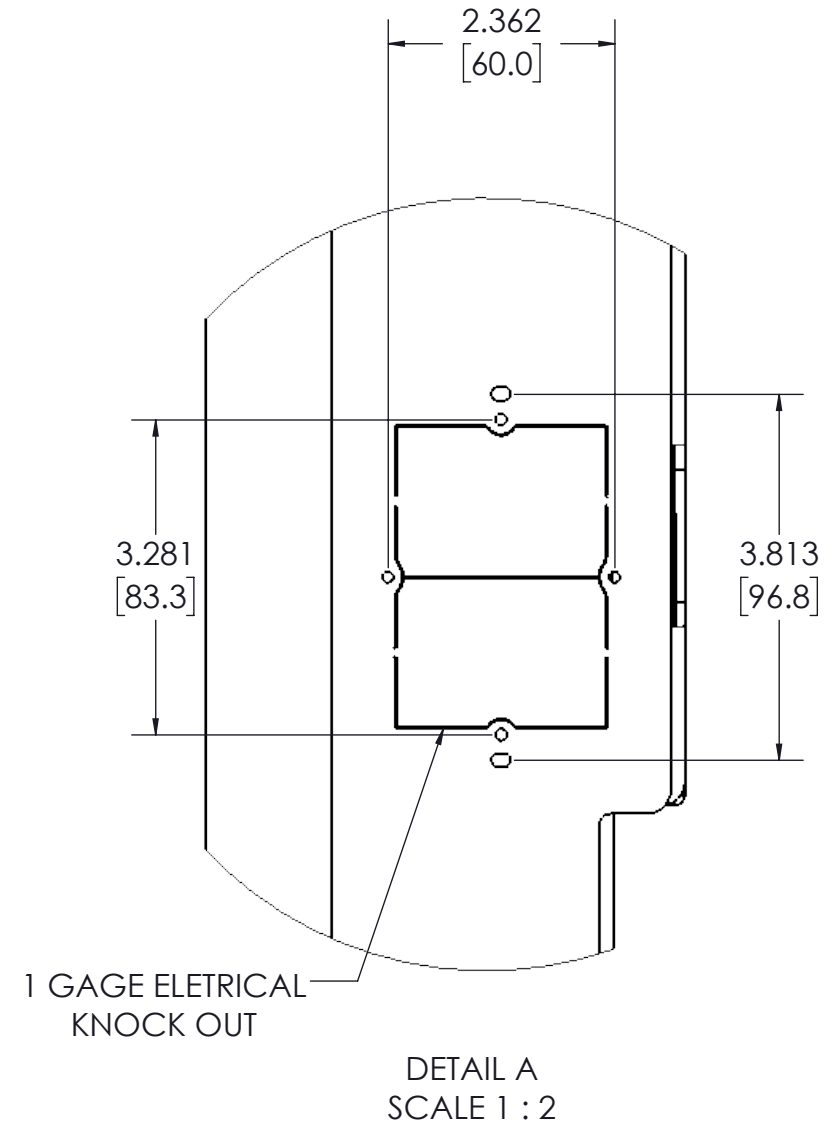
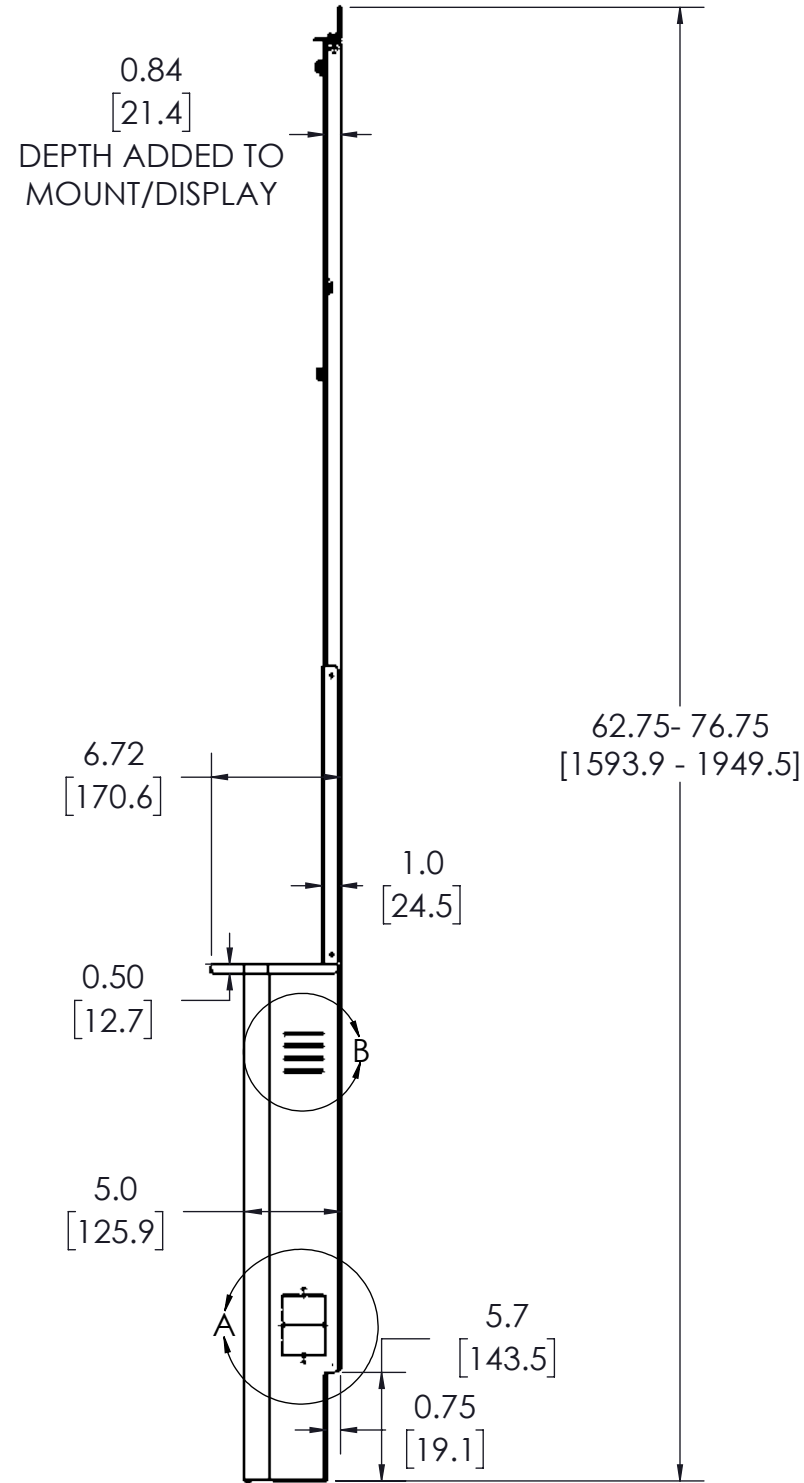
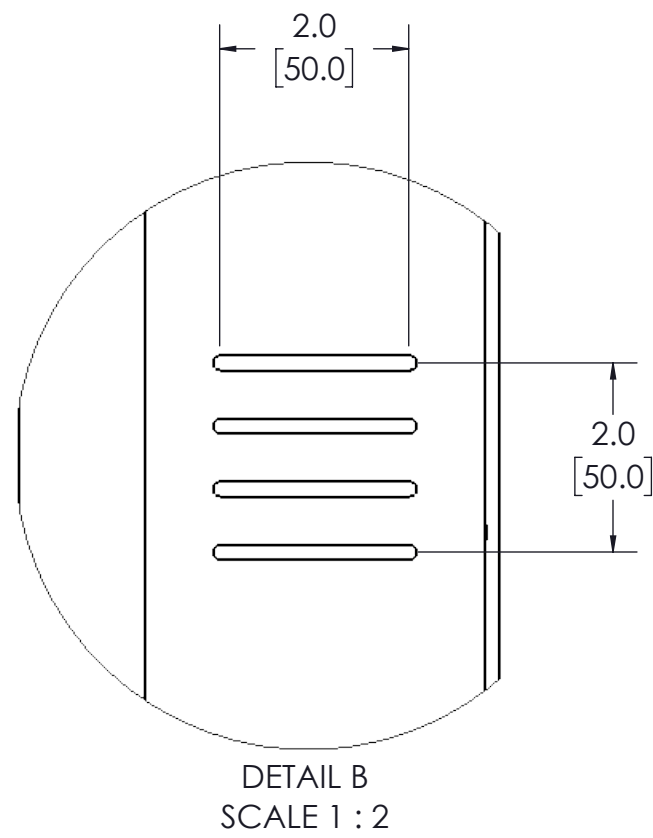


THE INFORMATION AND DESIGNS CONTAINED IN THIS DRAWING ARE CONFIDENTIAL AND THE PROPRIETARY PROPERTY OF MILESTONE AV TECHNOLOGIES NEITHER THIS DESIGN NOR ANY INFORMATION CONTAINED IN THIS DRAWING MAY BE REPRODUCED OR DISCLOSED TO OTHERS WITHOUT THE EXPRESS WRITTEN CONSENT OF MILESTONE AV TECHNOLOGIES.

CAD GENERATED DRAWING, DO NOT MANUALLY UPDATE.		<p>6436 CITY WEST PKWY EDEN PRAIRIE MN, 55344 PHONE: 866-977-3901 FAX: 877-894-6918</p>
DRAWN BY	JF 5/8/2019	
ENG APPROVAL		DESCRIPTION
MFG APPROVAL		FP FLOOR SUPPORT SYSTEM
QA APPROVAL		MODEL NO.
		AVSFSS
SHEET 1 OF 2	SCALE 1:10	SIZE B
		DWG. NO. TECH-001000
		REV. 03



THE INFORMATION AND DESIGNS CONTAINED IN THIS DRAWING ARE CONFIDENTIAL AND THE PROPRIETARY PROPERTY OF MILESTONE AV TECHNOLOGIES NEITHER THIS DESIGN NOR ANY INFORMATION CONTAINED IN THIS DRAWING MAY BE REPRODUCED OR DISCLOSED TO OTHERS WITHOUT THE EXPRESS WRITTEN CONSENT OF MILESTONE AV TECHNOLOGIES.

CAD GENERATED DRAWING, DO NOT MANUALLY UPDATE.			CHIEF 6436 CITY WEST PKWY EDEN PRAIRIE MN, 55344 PHONE: 866-977-3901 FAX: 877-894-6918		
DRAWN BY	JF	5/8/2019	DESCRIPTION FP FLOOR SUPPORT SYSTEM		
ENG APPROVAL			MODEL NO. AVSFSS		
MFG APPROVAL			SIZE DWG. NO. B TECH-001000		
QA APPROVAL			REV. 03		
SHEET 2 OF 2		SCALE 1:10			